



### I Application

Butterfly valves, whether manually or automatically operated, can be used in most liquid product applications in the food-processing, pharmaceutical and chemical industries.

### I Operating principle

The butterfly valve can be operated automatically through an actuator or manually with a handle.

The handle blocks the valve in the "open" or "closed" position, although there are also other models with intermediate positions.

The actuator transforms the axial movement of the piston into a 90° rotary movement which it transmits to the disc.

### I Design and features

Compact and robust design.

Multi-position handle as standard feature for valves up to DN-100/4".

Two-position handle as standard feature for valves starting from DN-100/4".

Several models of easily interchangeable manual handles and pneumatic or electric actuators.

Low pressure losses.

Body halves interchangeable with any connection type.

Connections: DIN 11850.

Traceability of components.

### I Materials

Disc and body halves	AISI 316L (forged)
Handle	AISI 304 / PP
Other st.st. parts	AISI 304
Gasket	EPDM according to FDA 177.2600
Internal surface finish	$Ra \leq 0,8 \mu m$
External surface finish	Machined

### I Options

Valve in AISI 304.

Gaskets: NBR, VMQ or FPM.

Connections: Clamp, SMS, RJT, FIL-IDF, etc.

Two sizes for multi-position handle.

Handles: two-position, lever, micrometric, with safety lock, etc.

Electric actuator or single- or double-acting actuator, the size is determined by the operating torque of the valve.

Electro-pneumatic positioner.

Inductive position sensors.

C-TOP control unit (inductive position sensors or microswitches).

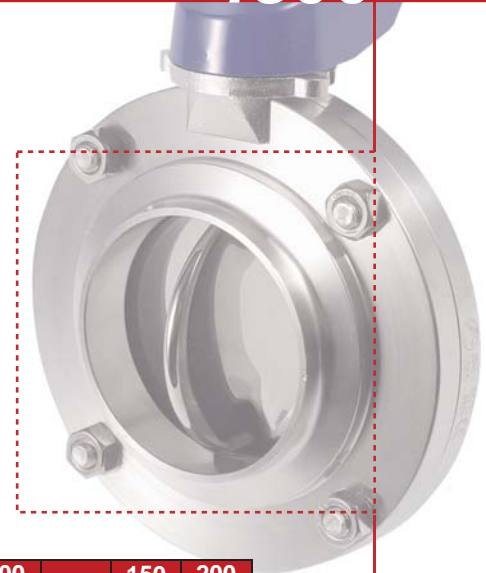
ATEX version available.



**I Technical specifications**

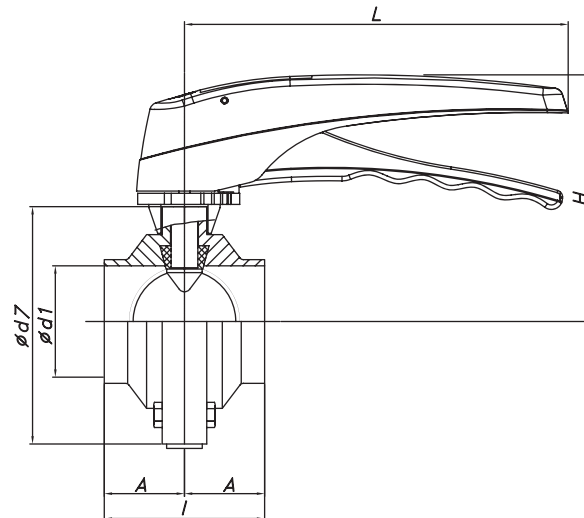
Available sizes	DN 10 - DN 200	DN ½" - DN 8"
Max. working temperature	-10 °C to +120 °C (EPDM) +140 °C (SIP, max. 30 min)	14 °F to 248 °F 284 °F
Min. working pressure	0,2 bar (P.abs)	3 PSI (P.abs)
Max. working pressure	10 bar (DN 10 - DN 100) <sup>(1)</sup> 8 bar (DN 125 - DN 150) <sup>(2)</sup> 5 bar (DN 200) <sup>(2)</sup>	145 PSI (DN ½" - DN 4") <sup>(1)</sup> 116 PSI (DN 5" - DN 6") <sup>(2)</sup> 72,5 PSI (DN 8") <sup>(2)</sup>

Note (1): Classified according to Directive 97/23/CE as Category I valves for use with fluids of Group 1  
 Note (2): Classified according to Directive 97/23/CE as Category I valves for use with fluids of Group 2



DN	10 ½"	15 ¾"	20	25 1"	32	40 1½"	50 2"	2½"	65	3"	80	100 4"	125	150 6"	200 8"
<b>OPERATING TORQUE (N·m)</b>	6	6	6	8	9	10	14	15	18	18	20	25	55	70	90

Test pressure 10 kg/cm²



DN	Ø d1	Ø d7	A	I	H	L	
10	10	62	20	40	90	115	
15	16	62	20	40	90		
20	20	72	20	40	95		
25	26	87	20	40	102		
32	32	92	21	42	105	170	
40	38	97	25	50	107		
50	50	110	25	50	115		
65	66	127	25	50	125		
80	81	142	30	60	130		
100	100	162	30	60	150		
125*	125	190	55	110	147		270
150*	150	240	66	132	180		300
200*	200	284	75	150	205	325	

DN	Ø d1	Ø d7	A	I	H	L
½"	9,4	62	20	40	90	115
¾"	15,8	62	20	40	90	
1"	22,1	87	20	40	102	
1 ½"	34,9	97	25	50	107	170
2"	47,6	110	25	50	115	
2 ½"	60,3	118	25	50	125	
3"	72,9	131	25	50	130	
4"	97,4	162	30	60	150	
6" *	146,8	240	66	132	180	
8" *	197,6	284	75	150	205	325

\* With two-position handle only



The information contained in this brochure is for guidance only. We reserve the right to modify any material or feature without notice in advance. For further information, please, consult our web site. [www.inoxpa.com](http://www.inoxpa.com)



FT.Butterfly valve 4800.3.EN-0513